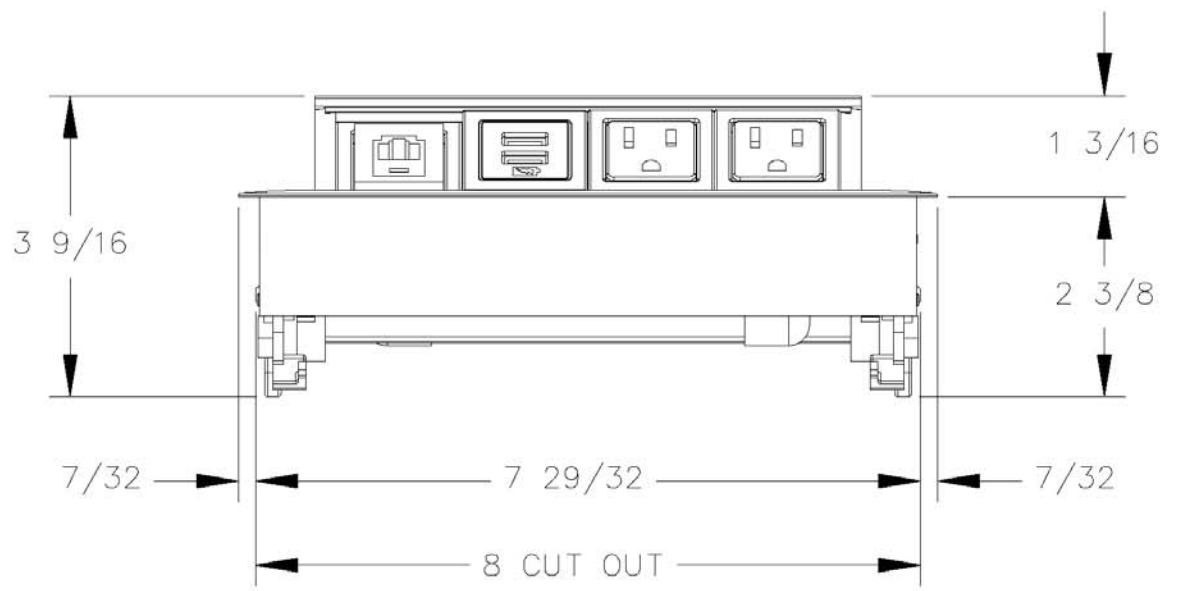
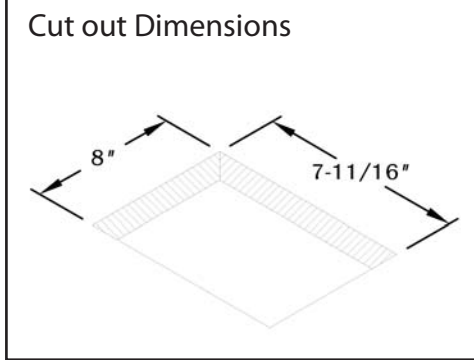
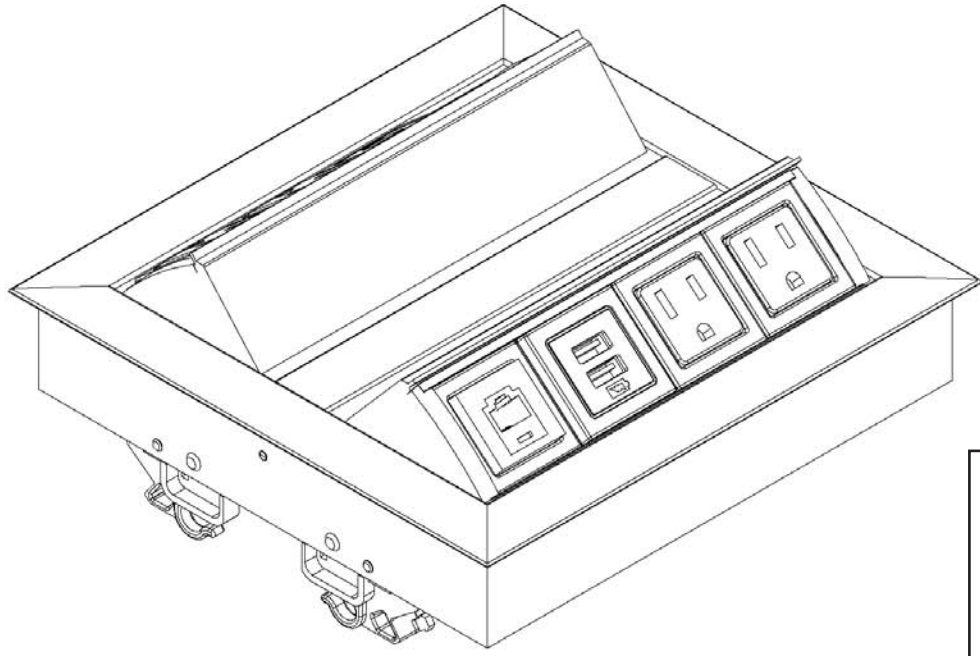
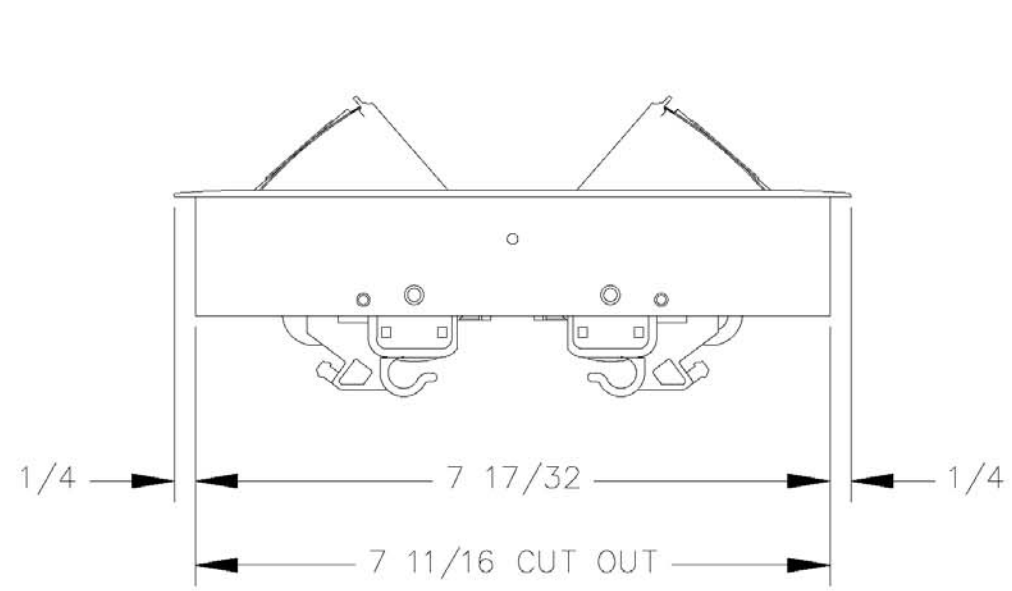


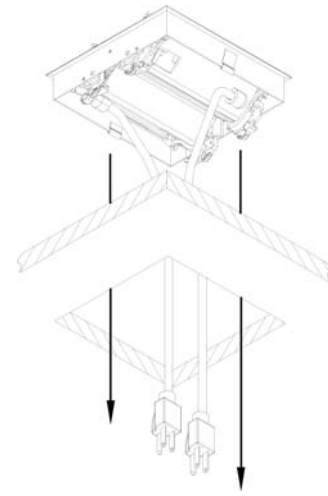
TOP VIEW



FRONT VIEW



RIGHT VIEW



Item:
Power/Data Grommet

Function:
Provides easy access to power and data above work surface

Mounting:
Flush to work surface

Features:

- Fluid One Touch accessibility
- 2 Simplexes back to back (total 4)
- Available with Spill-proof simplexes
- 2 Voice/Data ports back to back (total 4)
- 15 Amp Cord in 6' or 10' lengths
- Includes Voice/Data Adapter kit to accept couplers and jacks when required
- UL Listed
- Data Modules are unwired
- Configurations with 4 or more power receive a circuit breaker cord

4 Power, 4 Data
WCD-D104

Rev. 0 | 04/11/17 | V. Graves



Component Specification