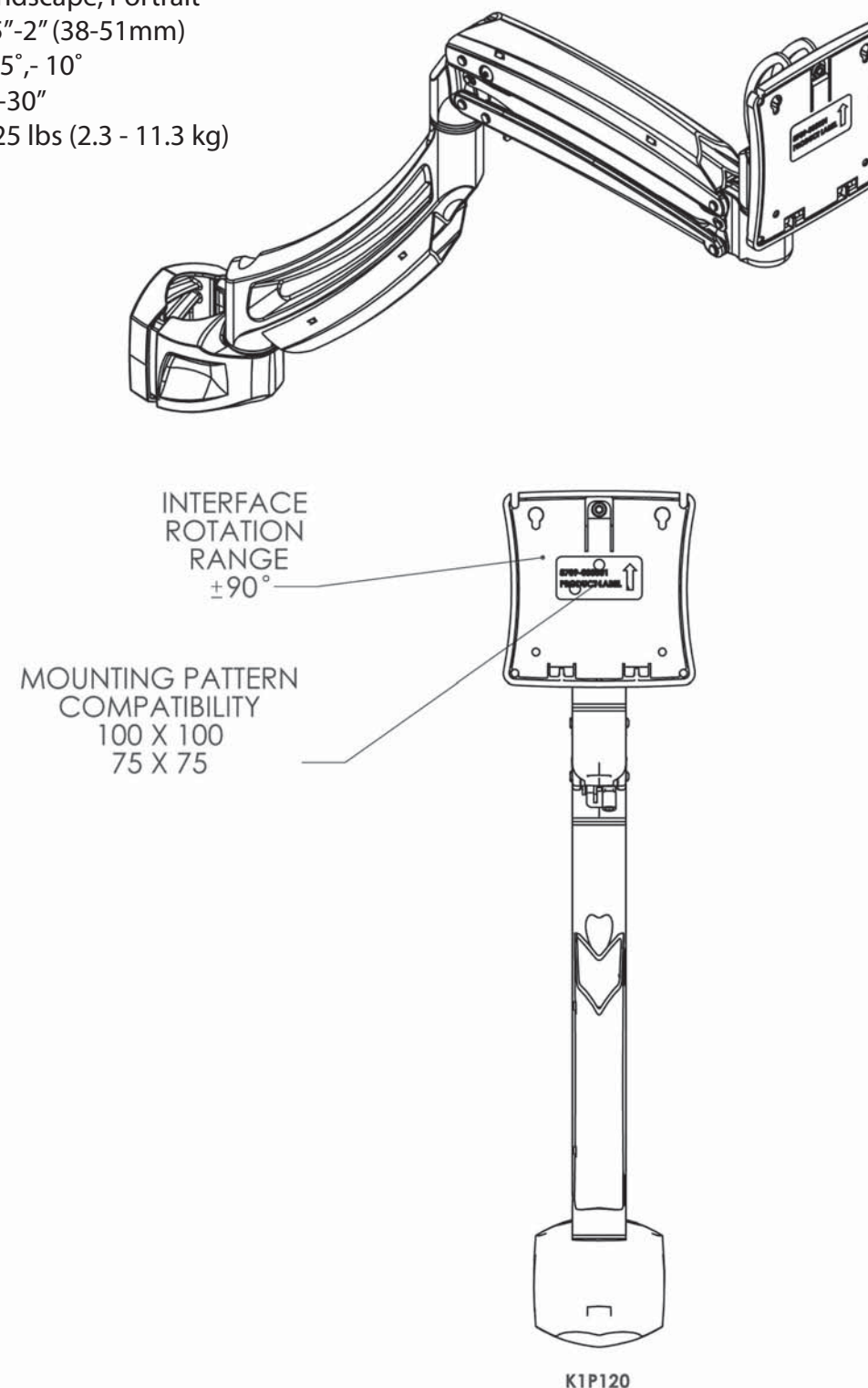
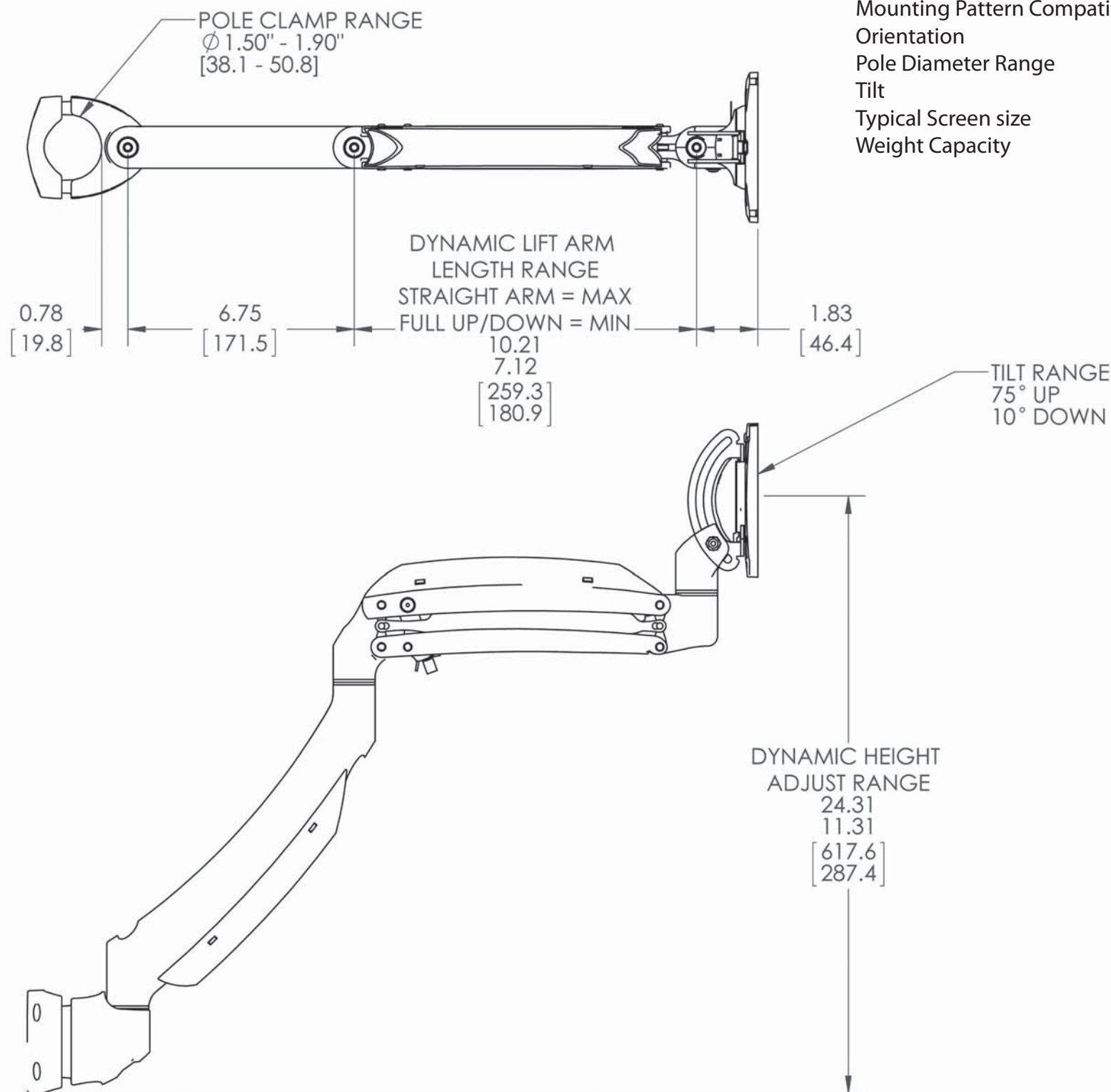




SPECIFICATIONS:

Dynamic Height Adjustment	13" (330.2 mm)
Maximum Extension	19.44" (493.8 mm)
Minimum Depth	2.45" (62.2 mm)
Mounting Pattern Compatibility	75 x 75mm, 100 x 100mm
Orientation	Landscape, Portrait
Pole Diameter Range	1.5"-2" (38-51mm)
Tilt	+75°, -10°
Typical Screen size	10-30"
Weight Capacity	5-25 lbs (2.3 - 11.3 kg)



Item: Height Adjustable Articulating Pole Mount for Small Monitors

Mounting: Clamp to Pole which attaches to Aluminum Track, VESA 75 X 75mm or 100 X 100mm compatible

Finish: Black

Features:

- Sleek, solidly constructed forged aluminum arms
- Patented Centris Head provides effortless tilt, for optimal viewing comfort.
- Manual Height Adjustment on the pole for optimizing screen position.
- Easily clamps to poles ranging from 1.50"-1.90" Dia
- Enhanced 3-step installation and quick release monitor interface for easy mounting and maintenance.
- High levels of recycled content & a highly recyclable design may contribute to LEED-CI, -NC, and -EB credits

Ergonomic Benefits:

- Easily Adjust Viewing Angles
- Easily adjust monitor height

Height Adjustable Monitor Mount

WCD-CMA103/56826

Rev. 0 | 12/01/16 | V. Graves



Component Specification