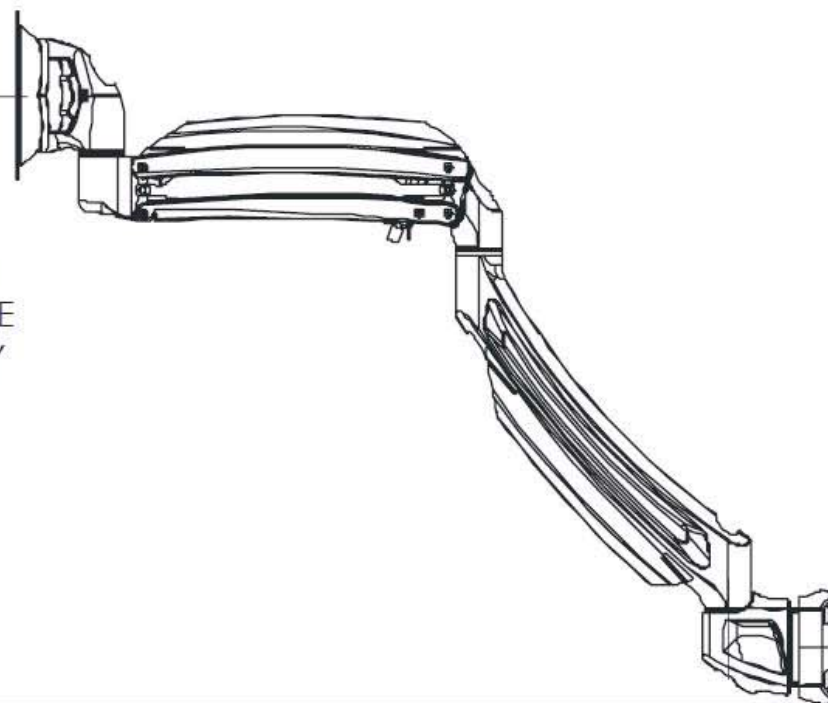
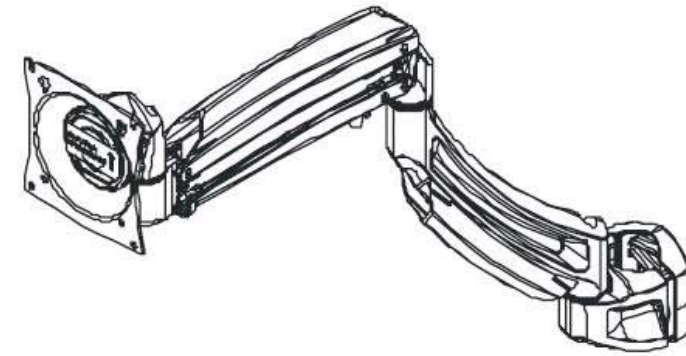


DYNAMIC LIFT ARM  
LENGTH RANGE  
APPROXIMATELY  
STRAIGHT = MAX  
FULL UP/DOWN = MIN  
10.21 [259.3]  
7.12 [180.9]

SPECIFICATIONS:

Dynamic Height Adjustment	13" (330.2 mm)
Maximum Extension	19.44" (493.8 mm)
Minimum Depth	2.45" (62.2 mm)
Mounting Pattern Compatibility	75 x 75mm, 100 x 100mm
Orientation	Landscape, Portrait
Pole Diameter Range	1.5"-2" (38-51mm)
Tilt	+75°, -10°
Typical Screen size	10-30"
Weight Capacity	5-25 lbs (2.3 - 11.3 kg)

DYNAMIC HEIGHT  
ADJUSTMENT RANGE  
OF APPROXIMATELY  
23.70 [601.1]  
10.70 [271.8]



**Item:** Height Adjustable Articulating Pole Mount for Small Monitors  
**Mounting:** Clamp to Pole which attaches to Aluminum Track, VESA 75 X 75mm or 100 X 100mm compatible  
**Finish:** Black  
**Features:**  
 -Sleek, solidly constructed forged aluminum arms  
 -Manual Height Adjustment on the pole for optimizing screen position.  
 -Easily clamps to poles ranging from 1.50"-1.90" Dia  
 -Enhanced 3-step installation and quick release monitor interface for easy mounting and maintenance.  
 -High levels of recycled content & a highly recyclable design may contribute to LEED-CI, -NC, and -EB credits  
**Ergonomic Benefits:**  
 -Easily Adjust Viewing Angles  
 -Easily adjust monitor height  
 -Stack Monitors on a pole

**Height Adjustable Monitor Mount**

**WCD-CMA103/56826**

Rev. 0 | 09/26/17 | V. Graves



**Component Specification**