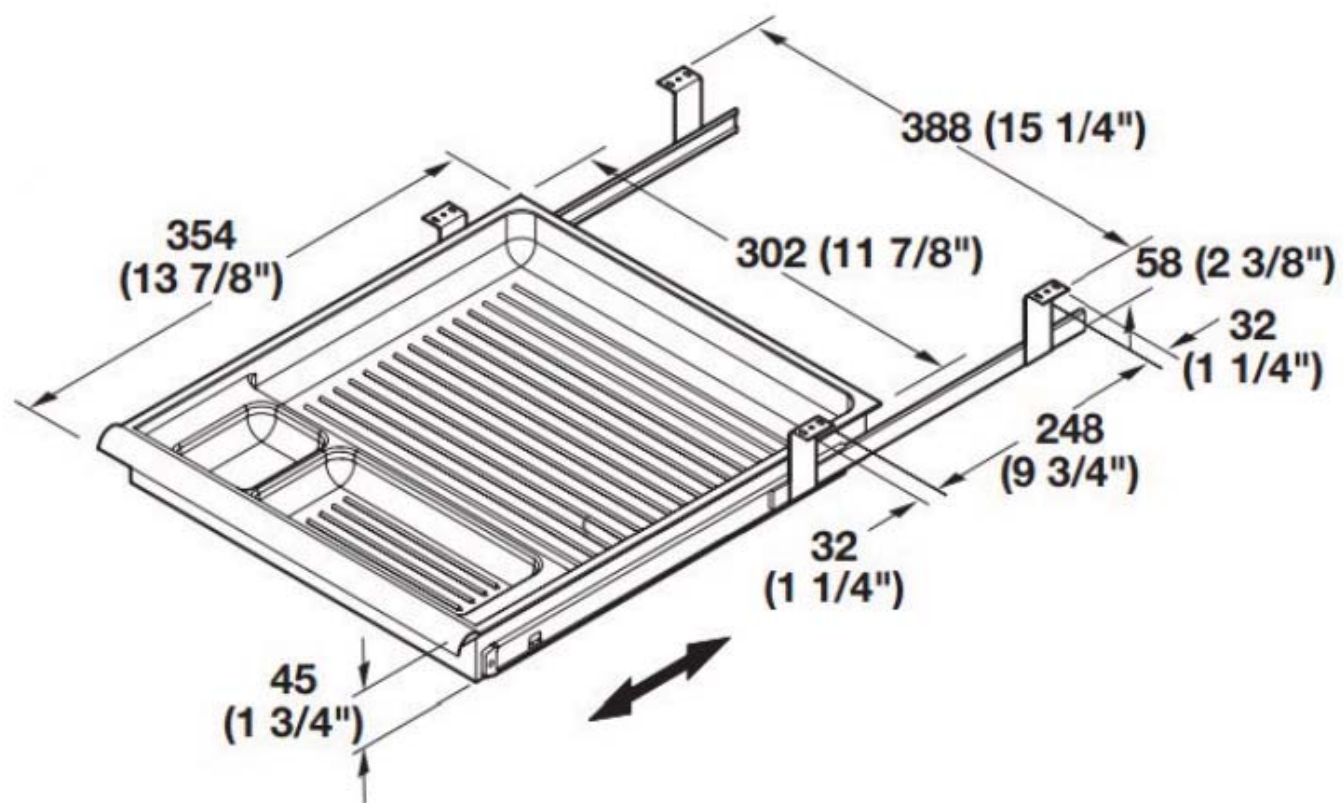
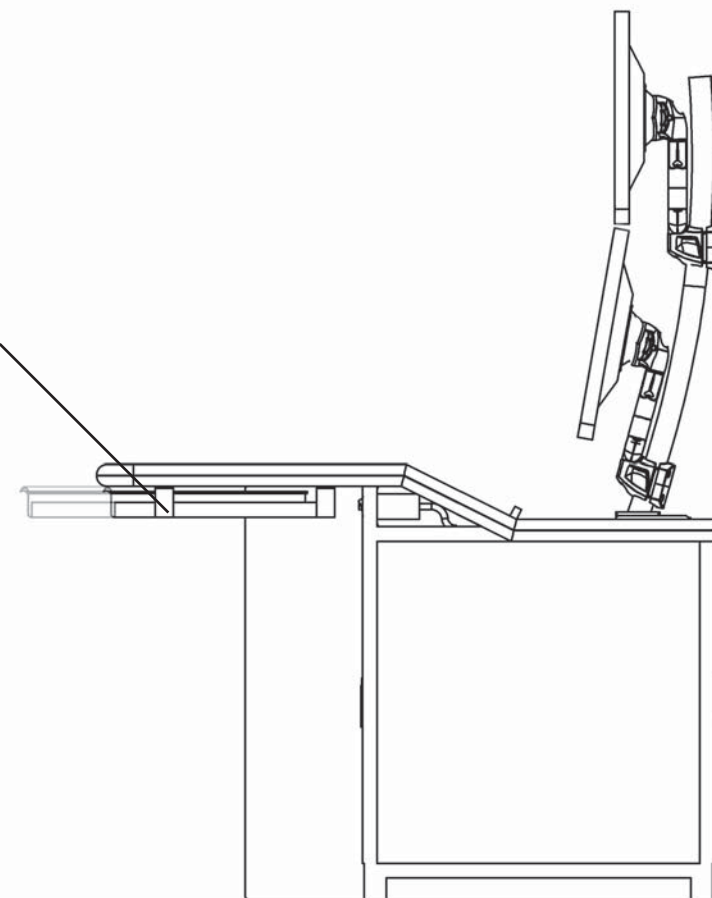




PENCIL DRAWER



Specifications:  
 -Installed Depth: 15-1/4"  
 -Extended Depth: 26"  
 -Material: plastic, Slides: Steel  
 -Color: Black  
 -Supplied with Mounting hardware

- Item:** Pencil Drawer  
**Function:** Store small items off the work surface  
**Mounting:** Under work surface  
**Finish:** -Black Plastic  
**Features:**  
 -Pencil Compartment  
 -Compact Size  
 -Ball Bearing slides, with both hold-in and hold-out dents  
 -Completely assembled  
 -Minimum Width required: 15-1/4"  
**Ergonomics:**  
 -Low profile keeps knee space open  
 -No sharp edges to catch clothes  
 -Drawer fully retracts

**Pencil Drawer with 3 Compartments**  
**WCD-PD102**

Rev. 0 | 10/18/17 | V. Graves



**Component Specification**