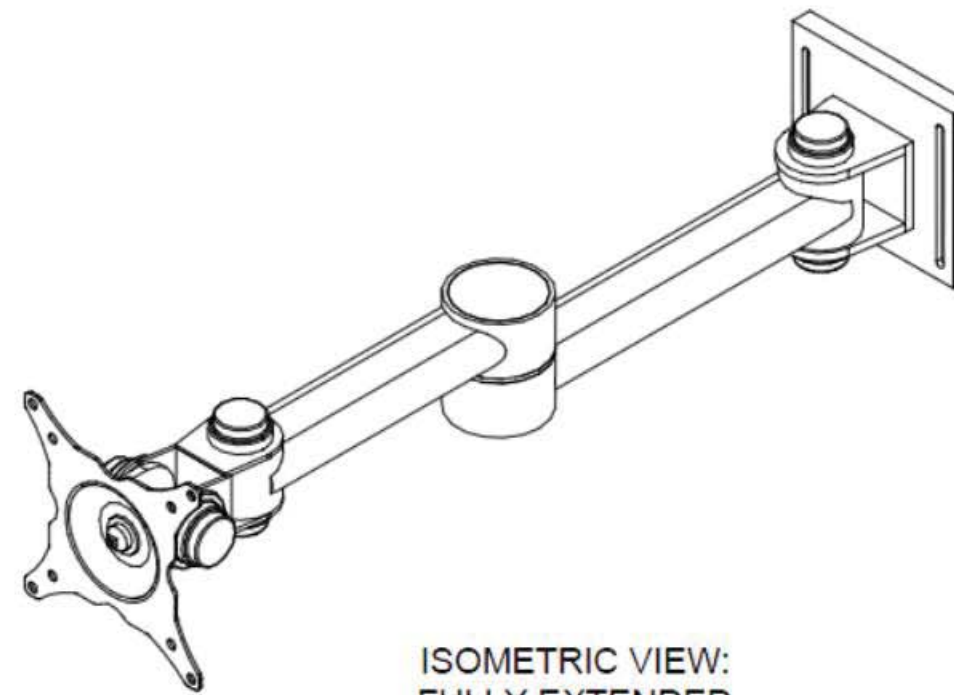
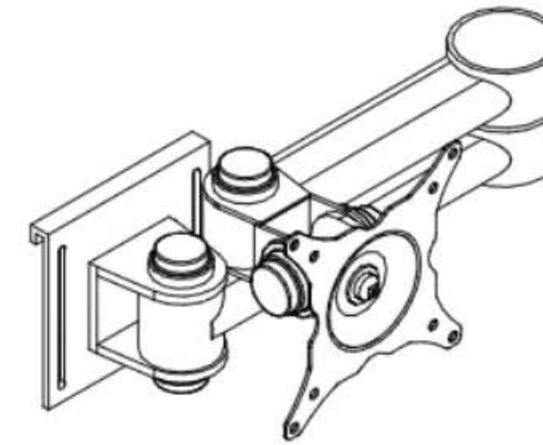


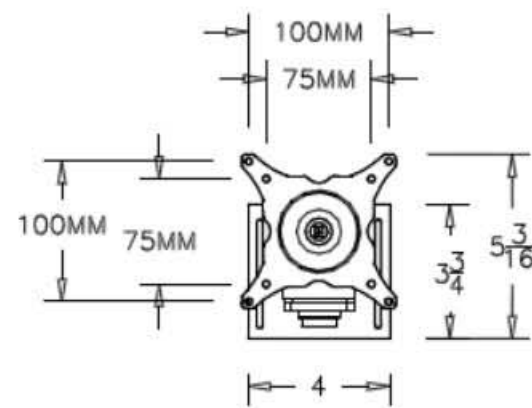
PLAN VIEW



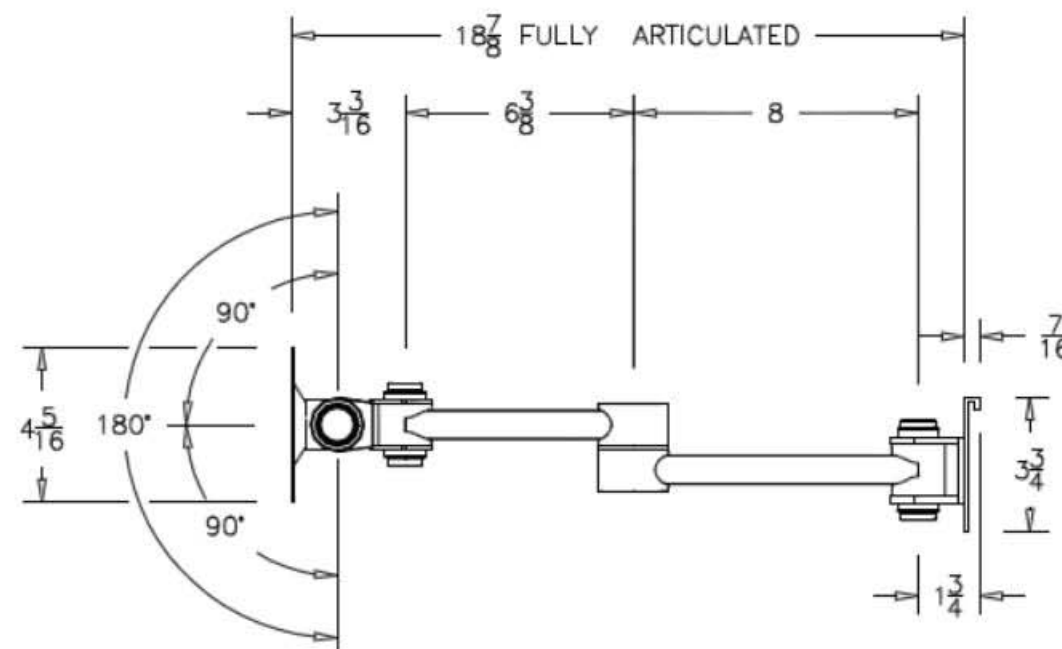
ISOMETRIC VIEW:
FULLY EXTENDED



ISOMETRIC VIEW:
FULLY COLLAPSED



FRONT ELEVATION



SIDE ELEVATION

Item:
Articulating Slat Wall Mount
for Small Monitors

Mounting: Clips to
Aluminum Slat Wall Track-
Monitors mount to VESA
plate

Features:
-Load weight capacity: 55
lbs (25kg)
-LCD Tilt 80°, Pan 90°, Rotate
360
-Quick lift release to pole

Finish:
-Black Powder Coat

Ergonomics:
-Vertical tilt allows appropri-
ate angles for using touch
screens for writing.

**Articulating Monitor Mount
for Slat Wall
58174**

Rev. 0 | 12/01/16 | V. Graves



**Component
Specification**