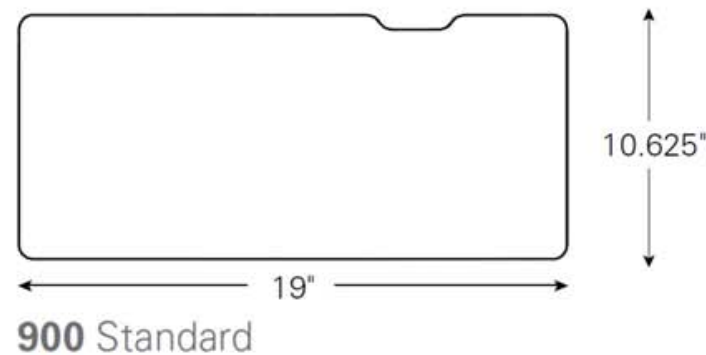


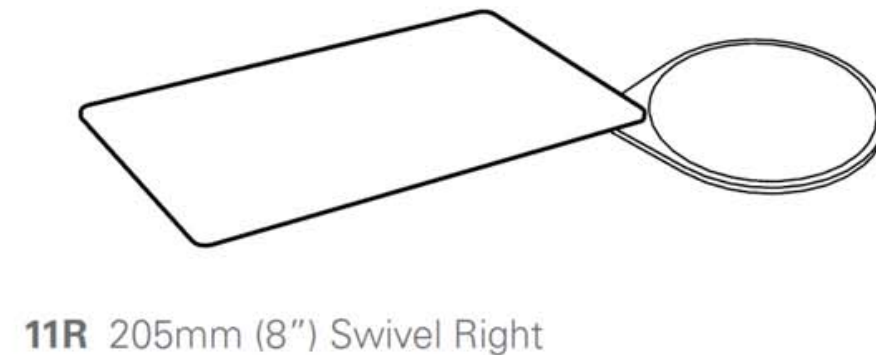
**6G Keyboard Mechanism**

- Height adjustment range: 178mm (7")
- Tilt adjustment range: 0° to -15°
- Weight: 3 kg (6.5 lbs.)
- Exceeds all BIFMA standards
- Made primarily of powder-coated steel
- 10 years warranty

**Keyboard Platforms**



**Mouse Platform**



**Item:** Keyboard Tray  
**Function:** Support Keyboard off the work surface  
**Mounting:** Underneath the work surface  
**Finish:**  
 -Black 1/4" Phenolic resin Keyboard Platform  
**Features:**  
 -Mouse Platform can be moved to support left or right-handed mousing  
 -Effortless height and angle adjustment. Promoting negative tilt keying, the keyboard platforms will not go into a positive tilt.  
**Ergonomics:**  
 -Allow users to work within their Neutral Reach Zone to maintain low risk posture.  
 -Offers protection from carpal tunnel syndrome, neck and back pain, and other musculoskeletal issues.  
 -Allows user to sit in a healthy, neutral posture through bringing the keyboard and mouse to the user.

**Keyboard Tray**  
**WCD-KBT100**

Rev. 0 | 12/06/16 | V. Graves



**Component Specification**

QMF09a