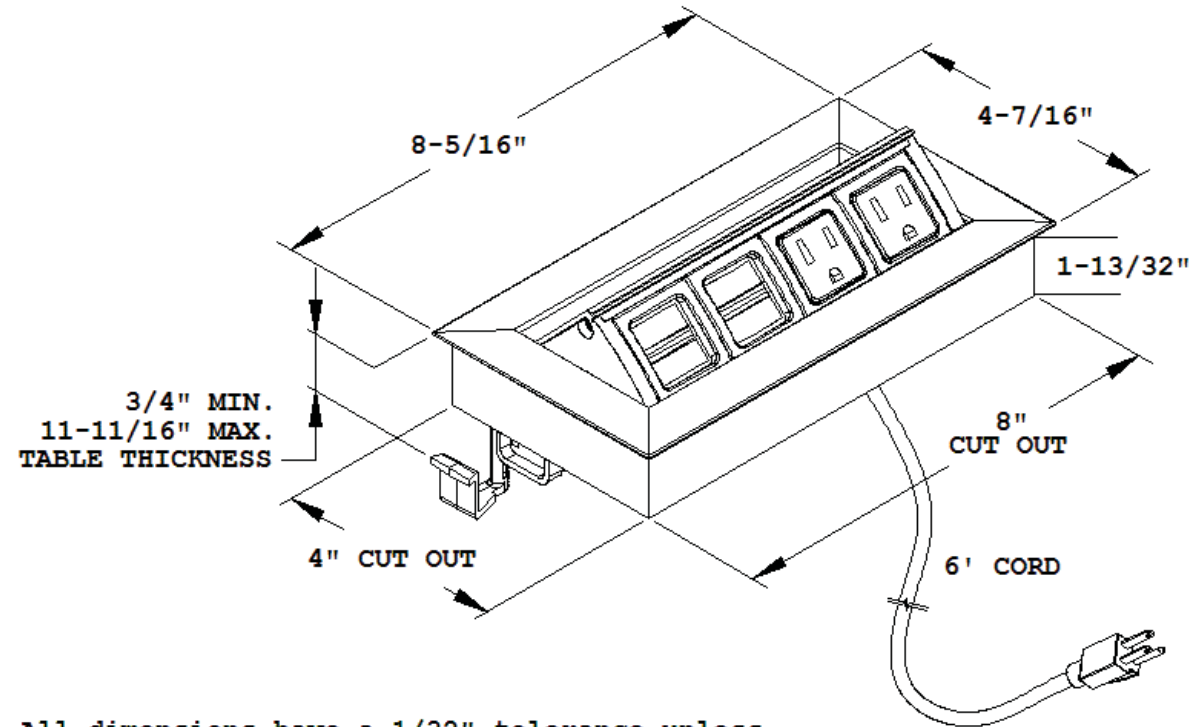
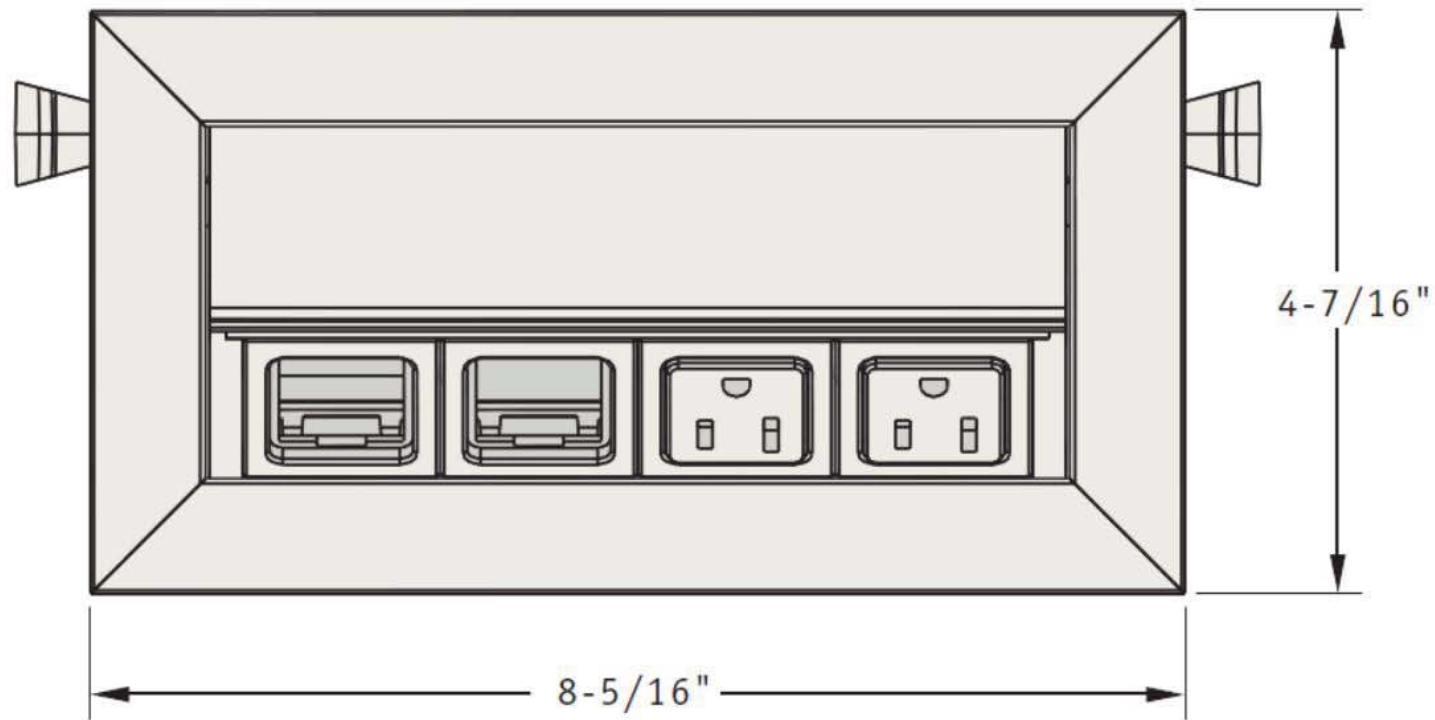
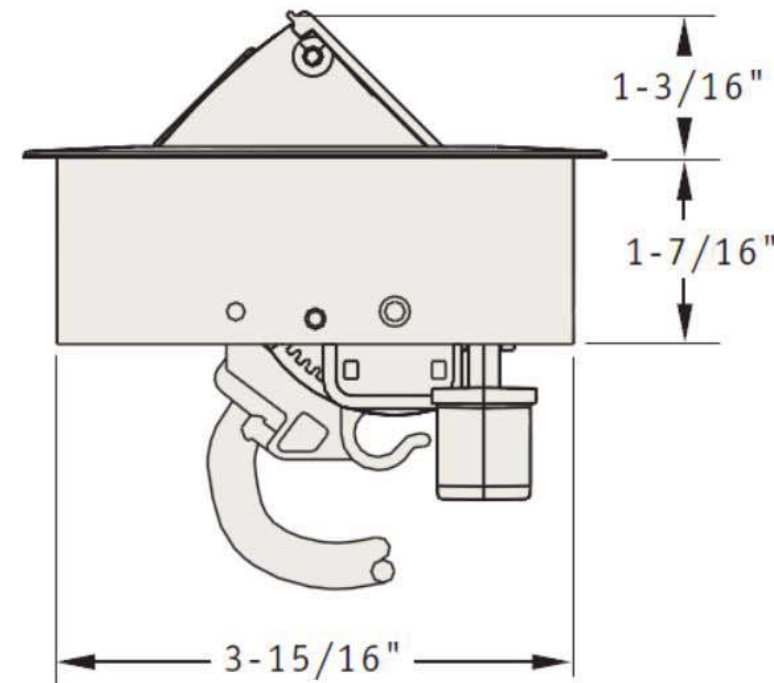
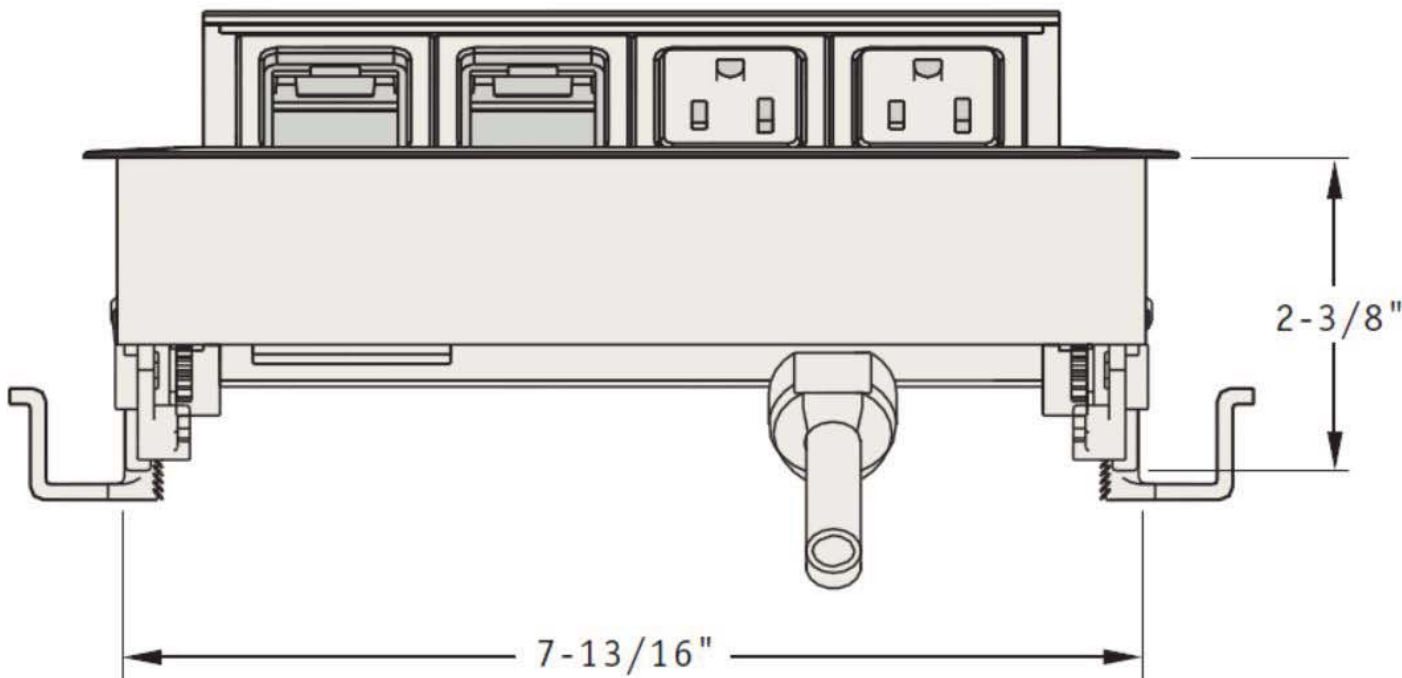




PCS36B-U



All dimensions have a 1/32" tolerance unless otherwise specified. We do not recommend drilling or cutting any holes before receiving a product or a product sample.



Item:
Power/Data Grommet

Function:
Provides easy access to power and data on the work surface

Mounting:
Set into work surface

Features:

- Double outlets
- 72" Conduit
- UL Listed and tested to meet UL962A
- One touch access hides outlets when not in use
- Spring loaded lid sits flush
- Multiple Data Options available

2 Power/2 Data Connection
WCD-D107

Rev. 0 | 02/09/17 | V. Graves



Component
Specification

QMF09a