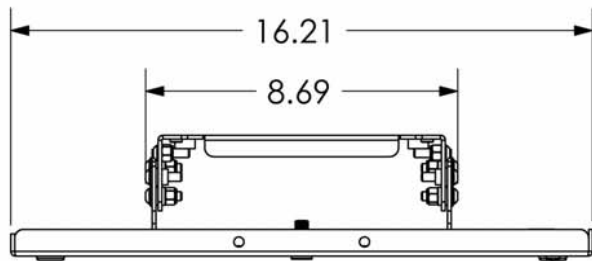
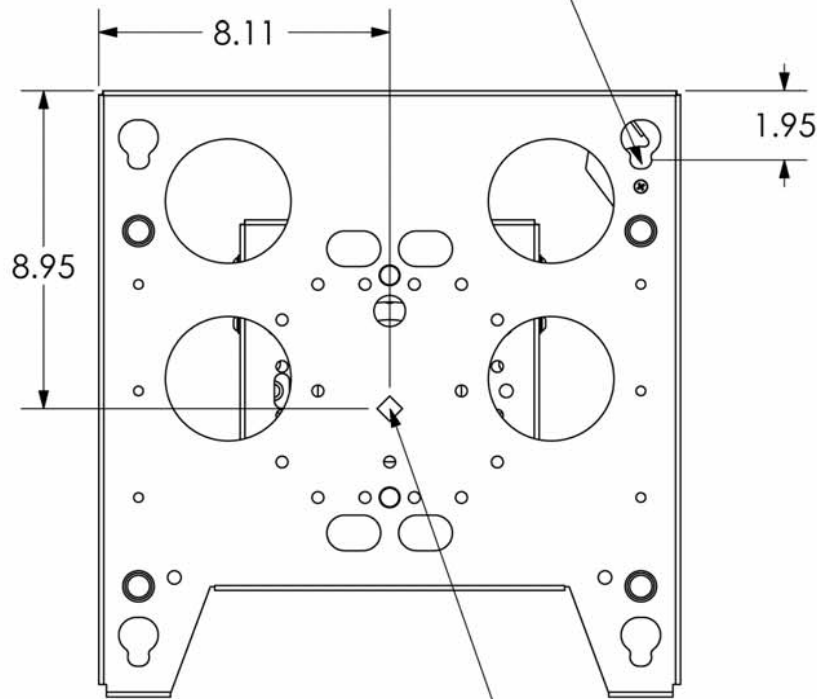


SPECIFICATIONS:

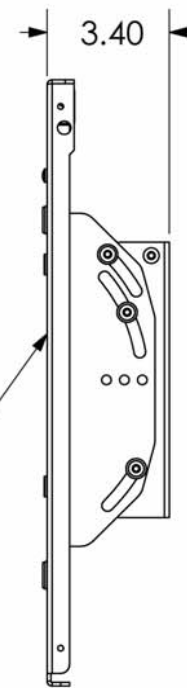
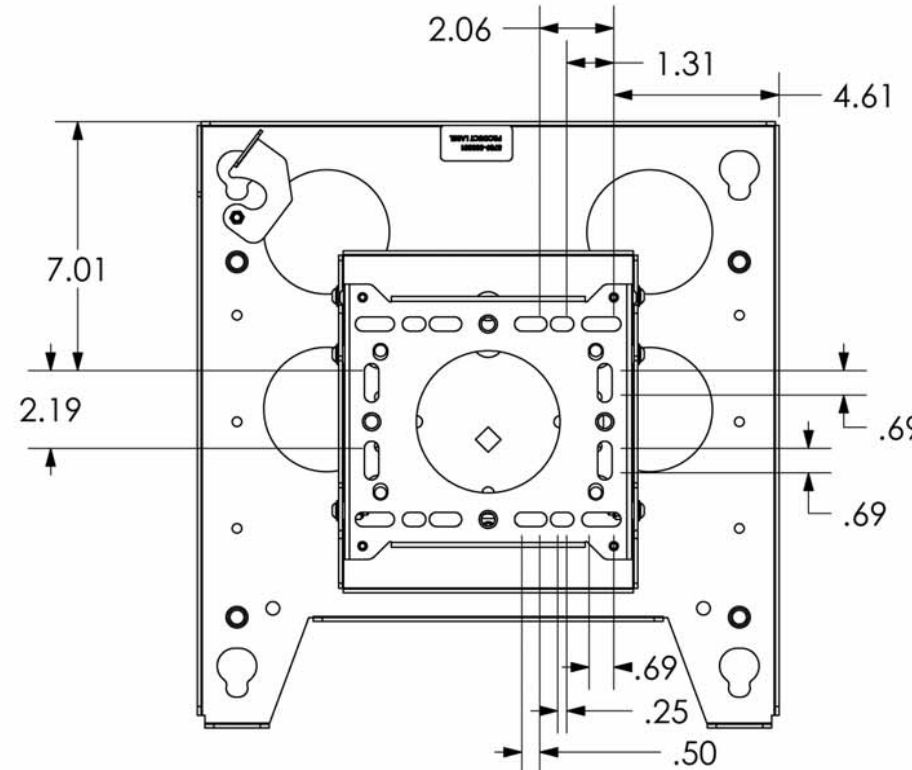
Minimum Depth	3.4" (86.4 mm)
Mounting Pattern Compatibility	200 x200 mm
Orientation	Landscape, Portrait
Overall Dimensions (H x W x D)	16.2" x 17.1" x 3.4" (412 x 433 x 86 mm)
Pole Diameter Range	1.5"-2" (38-51mm)
Typical Screen size	42-71"
Weight Capacity	150 lbs (68 kg)



TOP MOUNTING BUTTON ON PSB-XXXX DRAWING GOES HERE



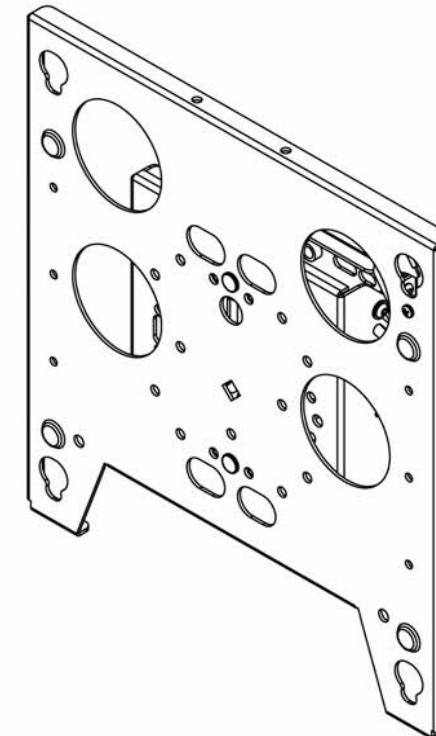
APPROXIMATE CENTER OF DISPLAY



FACE TILTS
5° UP
15° DOWN

NOTE: CUSTOM INTERFACE BRACKET NOT SHOWN. THE CUSTOM INTERFACE BRACKET NEEDED FOR YOUR DISPLAY WILL ADD BETWEEN 1/2" AND 2" IN DEPTH AND MAY AFFECT LOCATION OF DISPLAY ON THE MOUNT.

SEE PSB-XXXX DRAWING ALSO.



ATTACHES TO POLE/TRUSS USING TPK SERIES CLAMPS



- Item:** Pole Mount for Large Monitors
Mounting: Clamp to Pole
Finish: Black
Features:
- Three tilt adjustment options. Pre-set tilt locking points to quickly align multiple displays.
 - Screen angle stays set in place until readjusted.
 - Install on vertical or horizontal truss
 - Q-Latch Mounting system allows screen to secure to mount with a latching flag. Easy to connect/disconnect -no special tools needed.
 - Portrait and Landscape Capability
- Ergonomic Benefits:**
- Easily Adjust Viewing Angles
 - Easily adjust monitor height
 - Stack Monitors on a pole

Mount for Large Monitor
WCD-CMA107

Rev. 0 | 12/01/16 | V. Graves



Component Specification

QMF09a