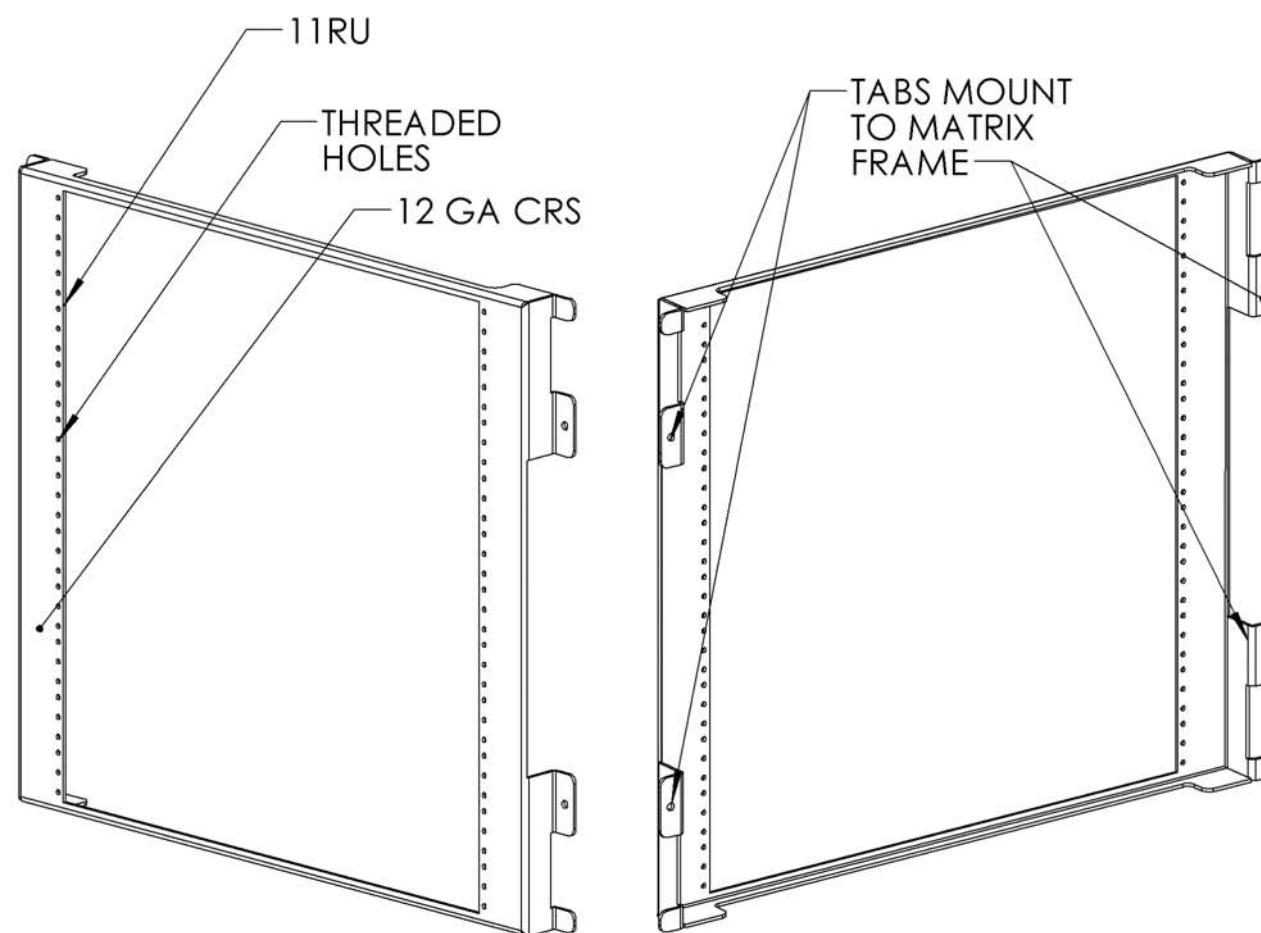
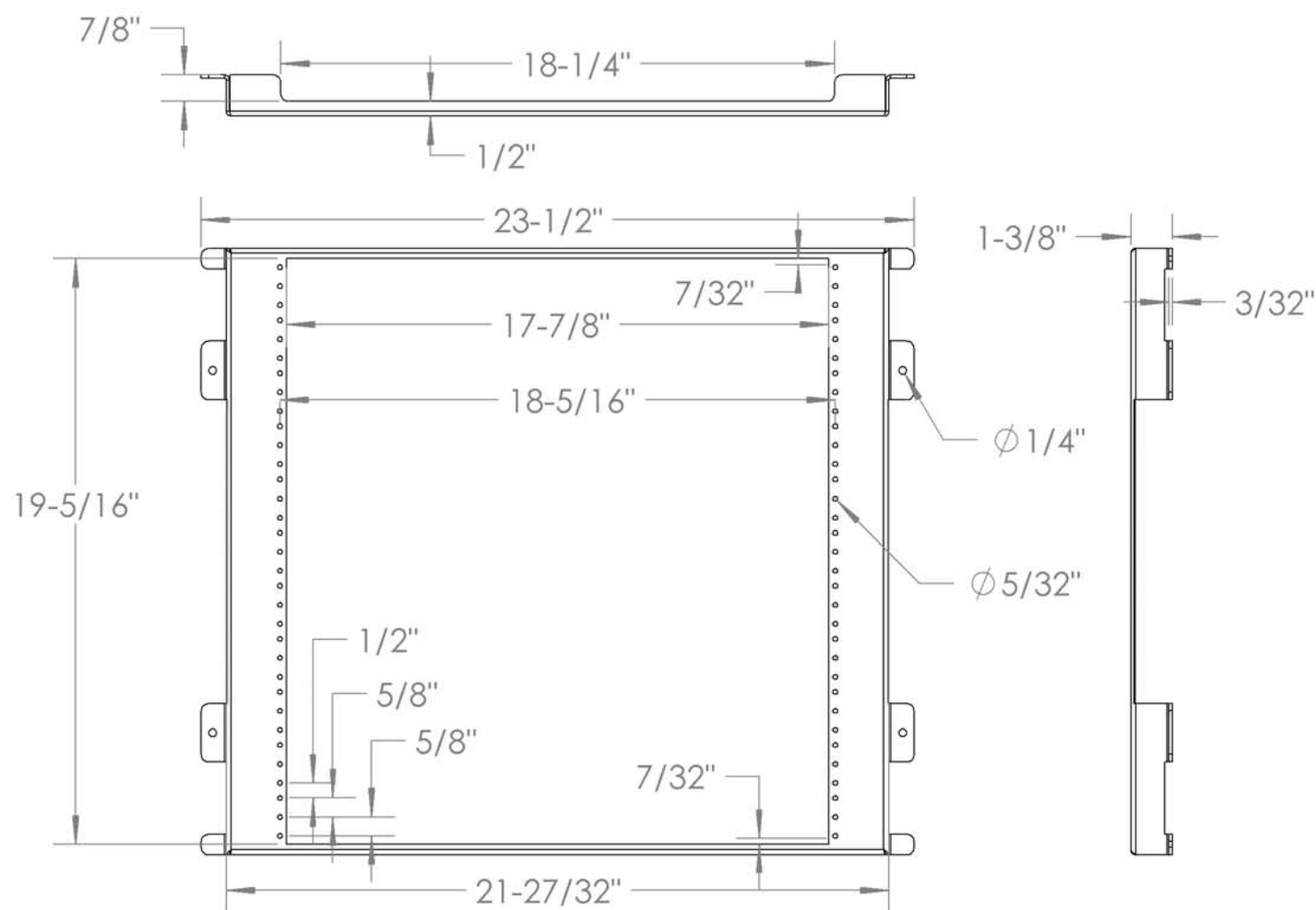


Item:
11U Rack Plate
Function: Provide holes for mounting shelves or equipment inside cabinet
Mounting: Attaches to front or rear frame of matrix cabinet
Finish:
-Black Powdercoat
Features:
-Threaded holes
-12GA steel



11U Rack Plate
WCD-R101

Rev. 0 09/25/19 V. Graves



Page
1