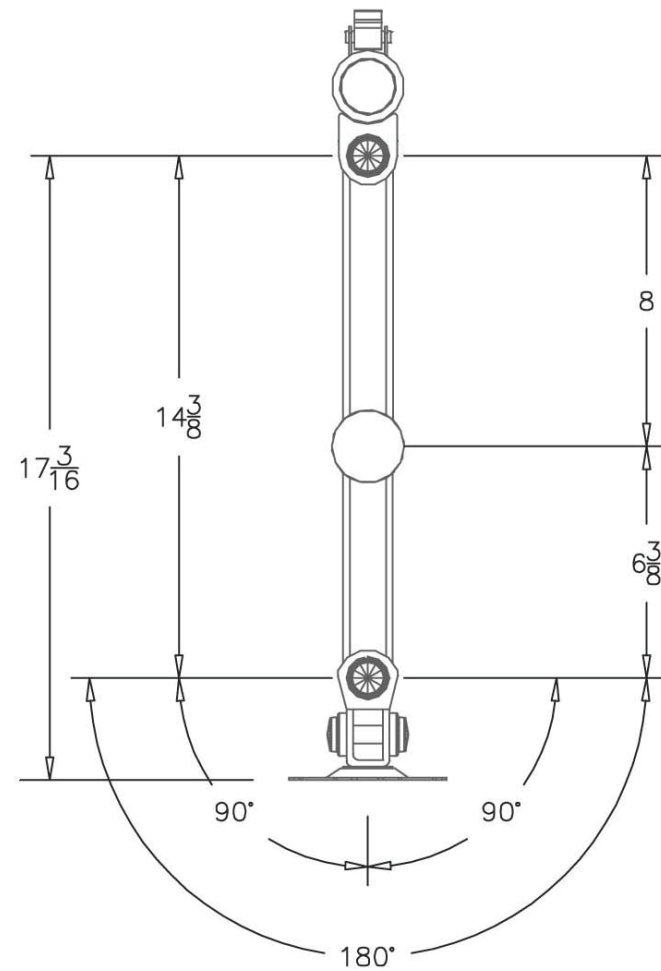
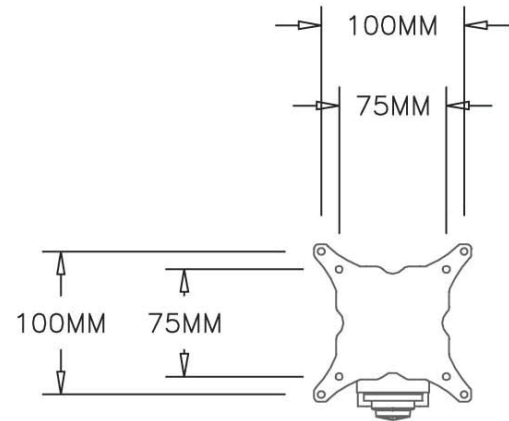


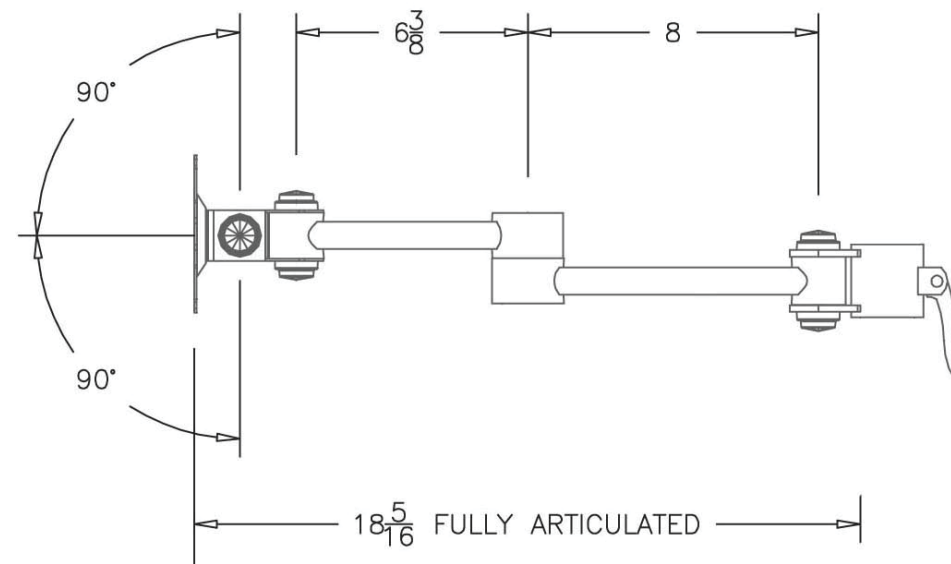
PLAN VIEW



FRONT ELEVATION

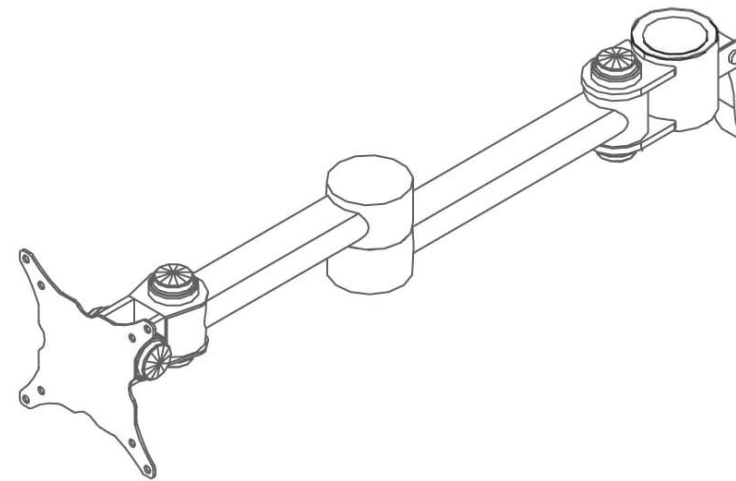


SIDE ELEVATION



SPECIFICATIONS:

|                                |                       |
|--------------------------------|-----------------------|
| Mounting Pattern Compatibility | 75 x 75mm, 100 x100mm |
| Orientation                    | Landscape, Portrait   |
| Pole Diameter Range            | 1.5" (38 mm)          |
| Tilt                           | +/-80°                |
| Typical Screen size            | 10-30"                |
| Weight Capacity                | 55 lbs (25 kg)        |



**Item:**  
Articulating Pole Mount for Small Monitors

**Mounting:** Clamp to Pole which attaches to Aluminum Track-Monitors mount to VESA plate

**Features:**

- Load weight capacity: 55 lbs (25kg)
- LCD Tilt 80°, Pan 90°, Rotate 360
- Quick clamp release to pole

**Finish:**

- Black Powder Coat

**Ergonomics:**

- Vertical tilt allows appropriate angles for using touch screens for writing.

**Axiom Two Link Mount**  
WCD-CMA102/64174

Rev. 0 | 08/22/17 | V. Graves



**Component Specification**