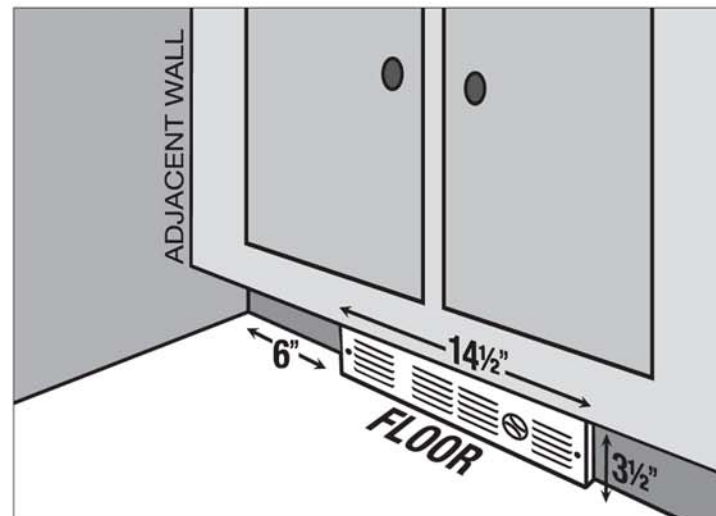
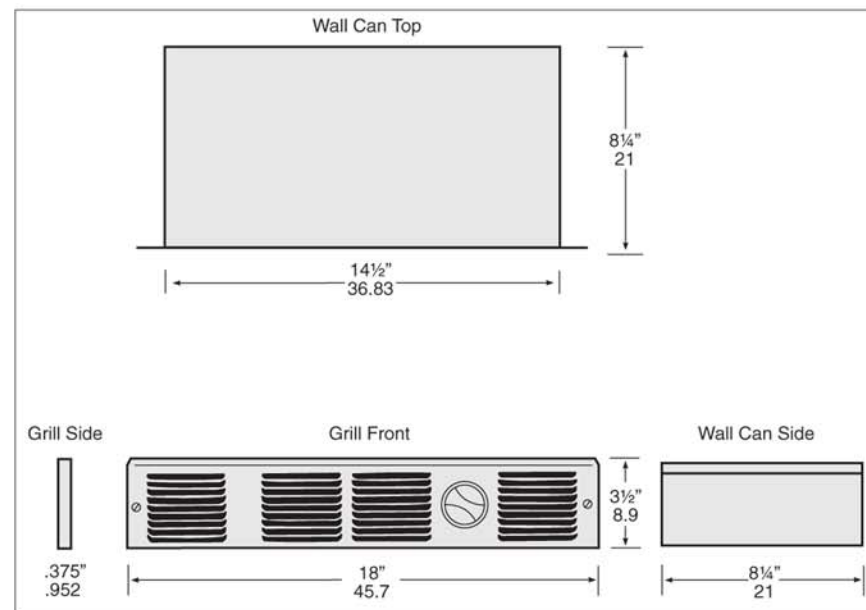


SPECIFICATIONS:
Weight Capacity 40 lbs (18.14 kg)



General Information:

Don't let lack of wall space keep you from staying warm. The Perfectoe is an ideal solution for installing under cabinets in kitchens or bathrooms, or even in a stairwell, hearth, or recreational vehicle. Only 3 1/2" of height required!

Architectural – Engineering Information:

Fan forced electric air heaters shall be UL listed, factory rated at 120V, or dual field rated 208V/240V. A 22 gauge housing with two knockouts and a 45 cubic inch junction box shall be provided as part of each heater. The heating unit shall be of unitized construction and be secured to the housing with two screws. Elements shall be of steel-finned type. All heating units shall include an oversized 25 amp rated, at 240V, high temperature manual reset limit switch. A tangential cylindrical blower delivering 53 CFM is driven by an impedance protected, permanently lubricated motor. The motor shall be isolated from the heating chamber. All metal housing components shall be finished with a powder coat paint system.



Item: Toe Kick Heater
Function: Provide heat in the leg space
Mounting: Base Frame
Finish: -Black
Features: -Knob for controls
 -Can be mounted to both steel or laminate console construction
Ergonomics: -Easy to use control
 -Keeps operator comfortable by allowing them to control the temperature.

**Toe Kick Heater
WCD-HTR101**

Rev. 0 01/24/17 V. Graves



**Component
Specification**

QMF09a