



NOTES:

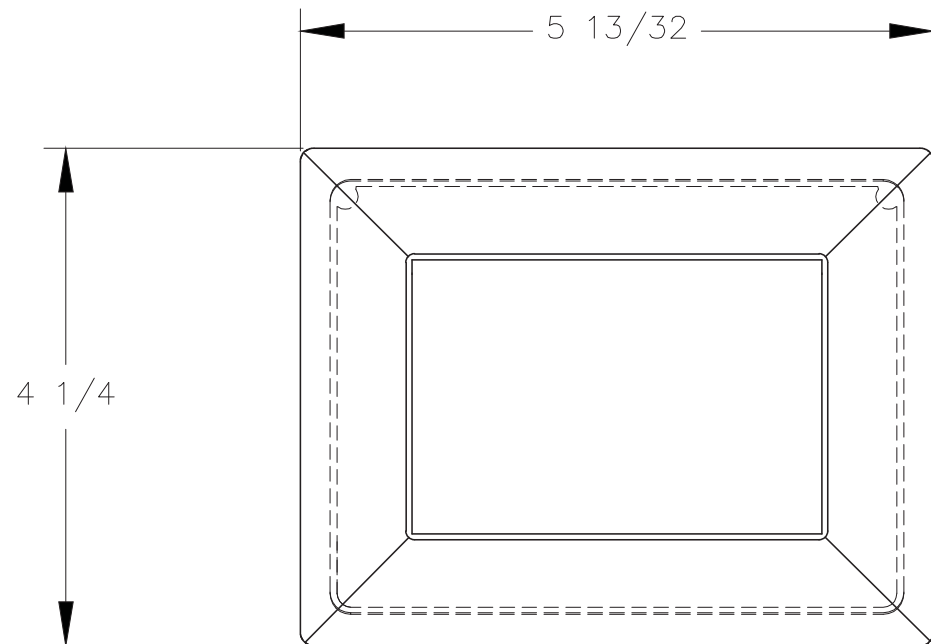
- Item:** Power/Data Connection  
**Function:** Provides easy access to power and data on the work surface  
**Mounting:** Set into work surface  
**Features:**  
 -Single or double simplex.  
 -72" Conduit  
 -UL Listed and tested to meet UL962A  
 -One touch access hides outlets when not in use  
 -Spring loaded lid sits flush  
 -Multiple Data Options available

**Power/Data Connection  
 WCD-D106**

Rev. 0 11/04/16 V. Graves

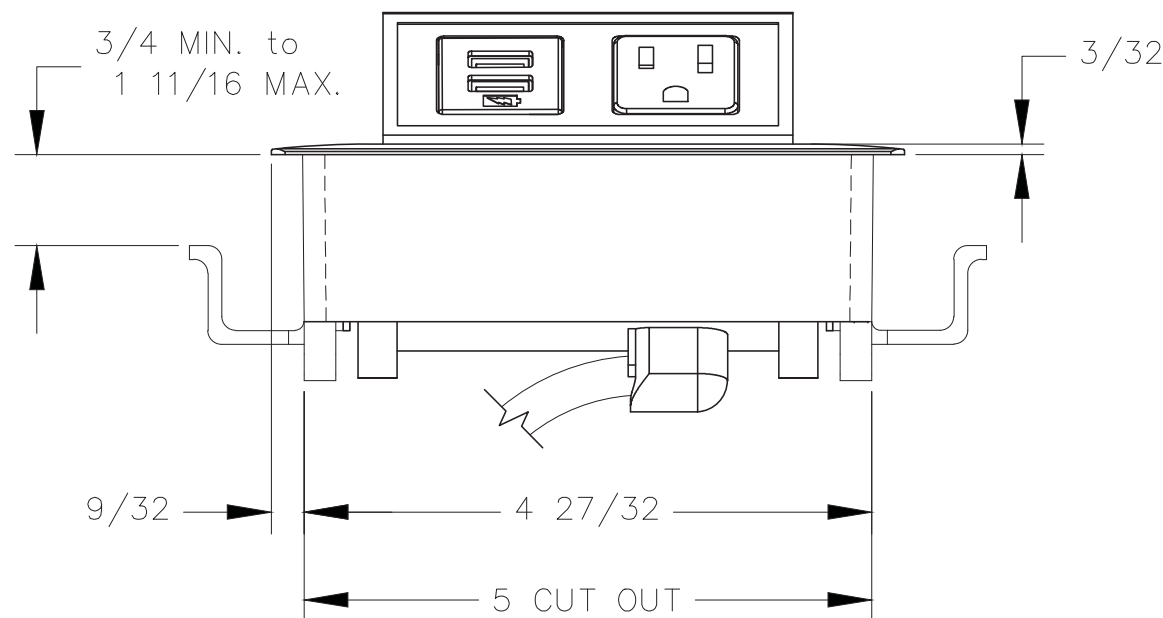
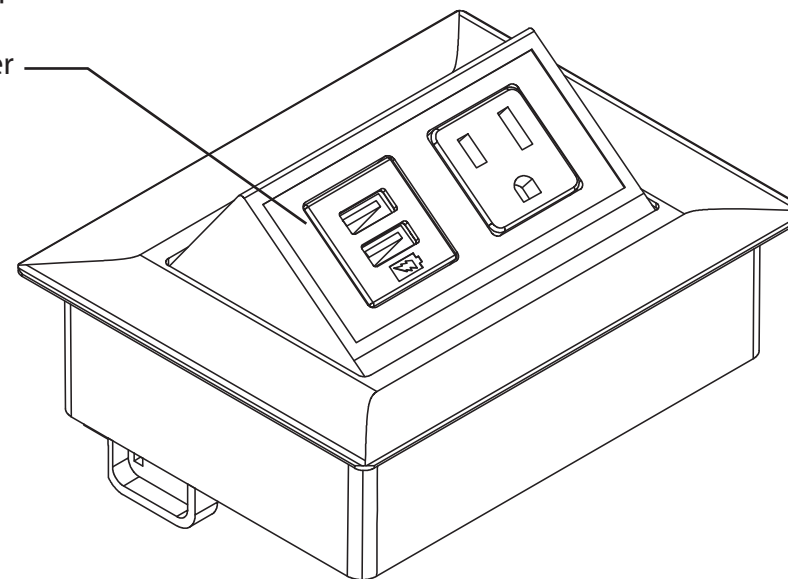


**Component  
 Specification**

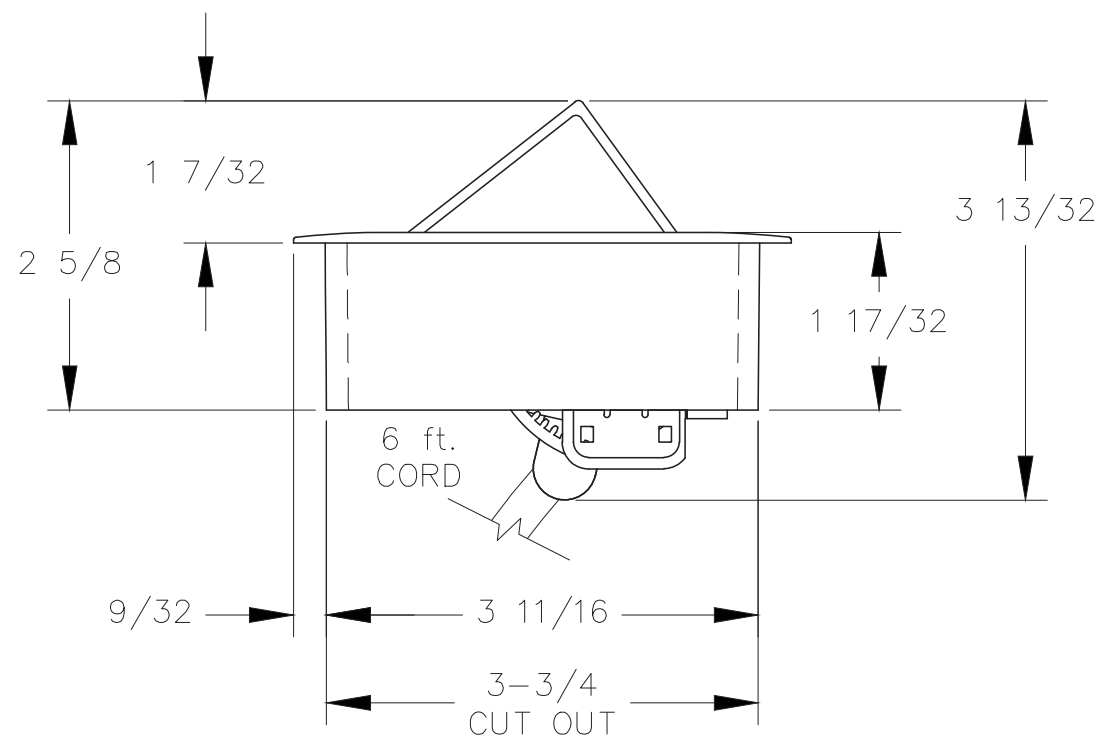


TOP VIEW

Shown with One Simplex rated 15A/125VAC and Dual USB Charger



FRONT VIEW



RIGHT VIEW