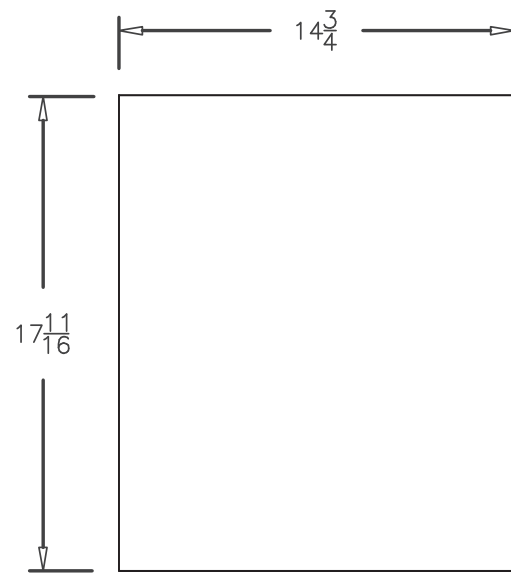
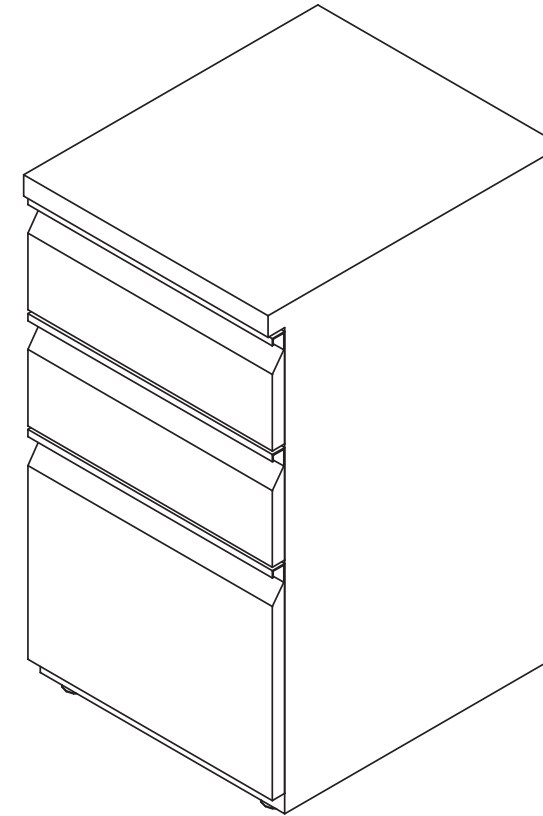


PLAN VIEW

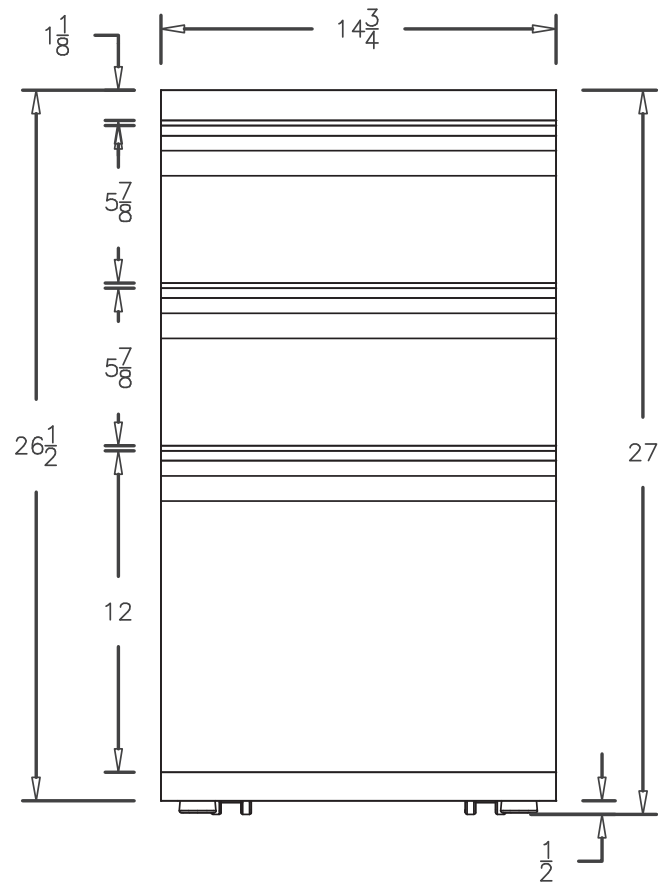


ISOMETRIC VIEW

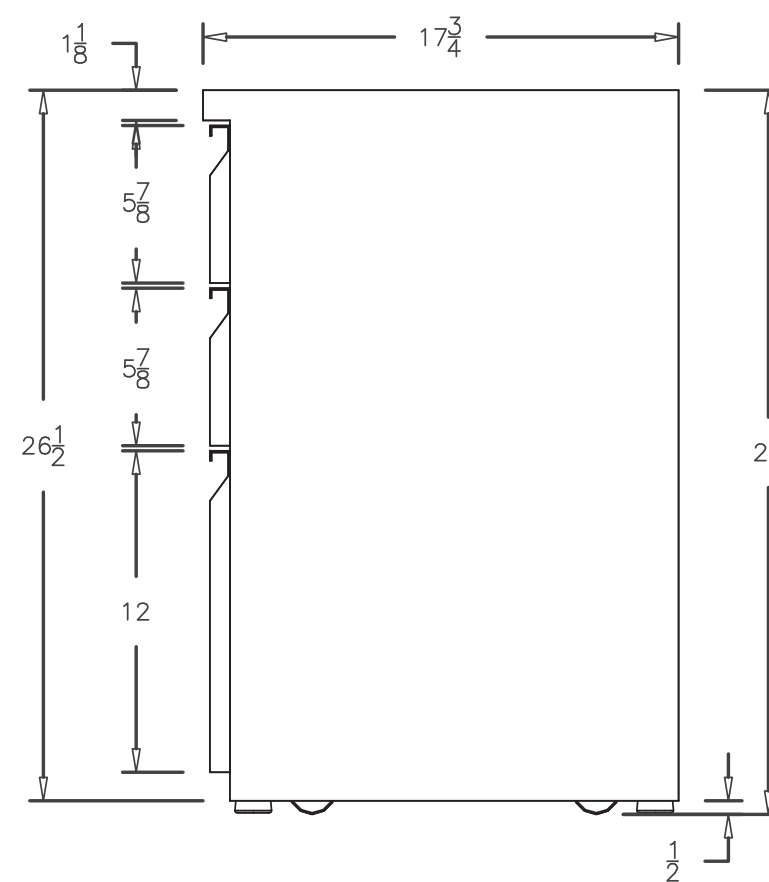


Item:
3 Drawer File Cabinet
Function: Storage of Files and/or personal items
Mounting: Maybe mobile or mounted and fixed to console
Finish:
 -Black Powder Coat
Features:
 -2 box, 1 file drawer
 -Comes with leveling feet and casters
 -2 file drawer option available
Ergonomics:
 -Drawers easily slide out

FRONT ELEVATION



SIDE ELEVATION



File Cabinet
10765

Rev. 0 12/13/16 V. Graves



Component
Specification

QMF09a