



## INTEGRATED TECHNOLOGIES

The power simplexes must be grouped together and installed at the right end of this product. Technologies requiring power must immediately follow.



### NON-POWERED

Cat6, Cat6A, HDMI, VGA, DisplayPort, DVI, Mini DisplayPort, Stereo Jack, Belay, Passive USB-A, and Passive USB-C

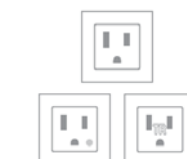
NOTE: Factory install only for DisplayPort and MiniDisplayPort



### POWERED

USBC 18W, USB-C 60W, USB A + C, Dual USB, Bluetooth® Speaker

NOTE: Powered Technologies do not transfer data

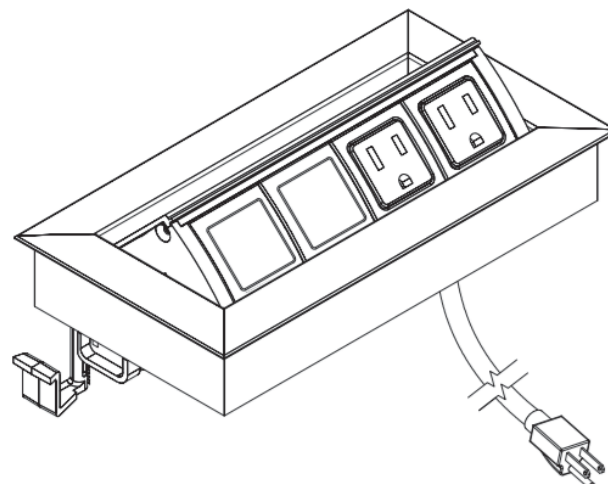
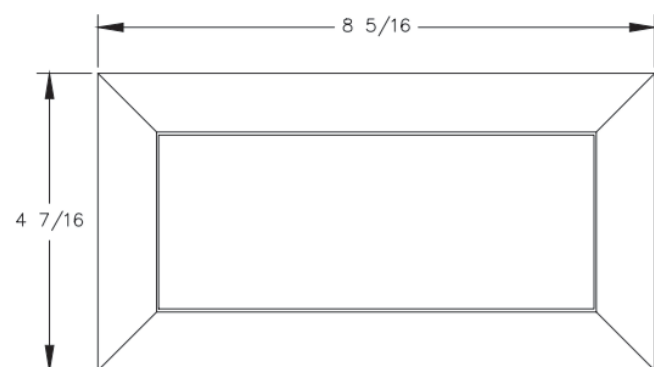


### POWER SIMPLEX

Tamper Resistant & Hospital Grade Available

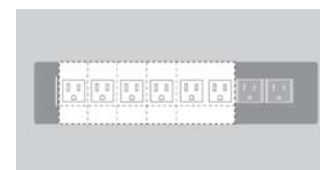
## SPECIFICATIONS

\* Images depict a 4 Window Unit -with 2 Power and 2 Open Data.



## CUSTOMIZE BY SIZE

Comes with 2 to 8 windows, as shown below. Each window can be replaced by a variety of power and technology options



## CUT OUT DIMENSIONS

	LENGTH	WIDTH
2 Windows	5"	4"
3 Windows	6-1/2"	4"
4 Windows	8"	4"
5 Windows	9-1/2"	4"
6 Windows	11"	4"
7 Windows	12-1/2"	4"
8 Windows	14"	4"

## POWER INFEEED OPTIONS

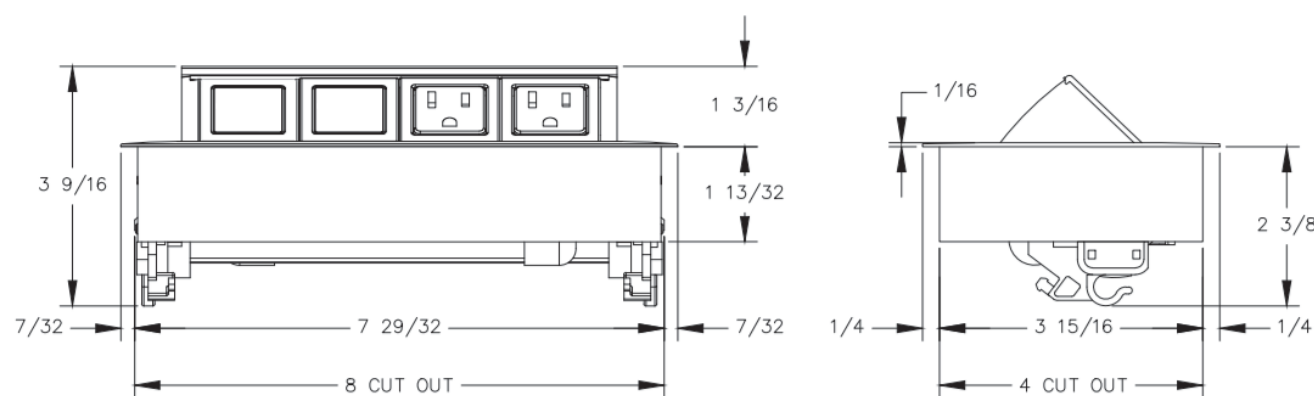
**UL LISTED**  
 Corded  
 Hardwired  
 4-Trac interconnect  
 8-Trac interconnect

**UL RECOGNIZED & ETL LISTED**

Interlink IQ 2.0  
 Interlink

## TABLE THICKNESS

**MIN-MAX**  
 3/4" -1-1/2"



**Item:** Data/Power Grommet  
**Function:** Provide easy access to power and data on the work surface  
**Mounting:** Set into work surface  
**Finish:** -Anodized Aluminum  
**Features:**  
 -Spill proof outlets  
 -72" Conduit  
 -Safe and easy to install power and data in work surfaces  
 -Customizable  
 -One touch access hides outlets when not in use  
**Standard:**  
 -2 power, 4 Powered USB  
 -please request pricing for other options

**Power/Data Grommet**  
**WCD-D107**

Rev. 0 | 08/19/19 | V. Graves

