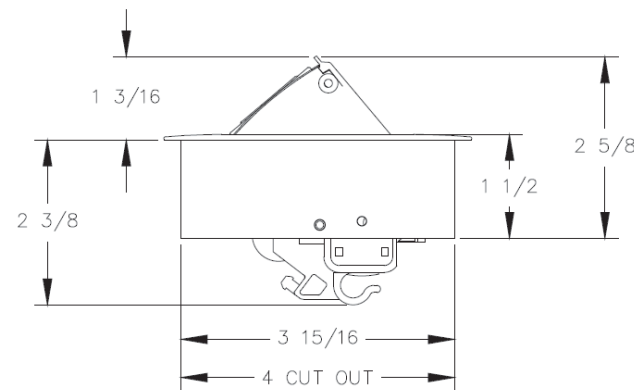
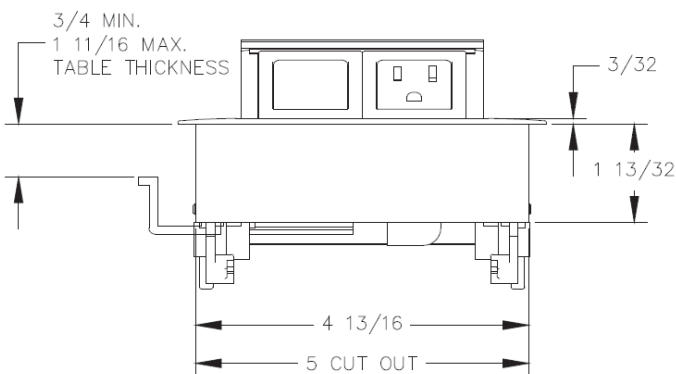
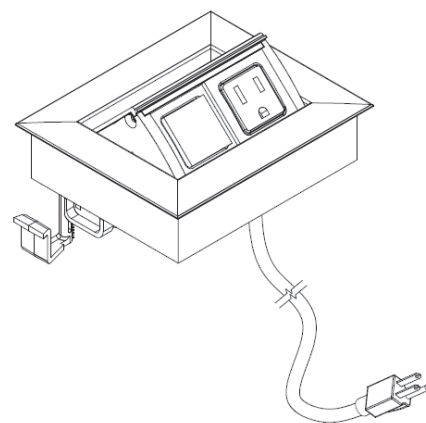
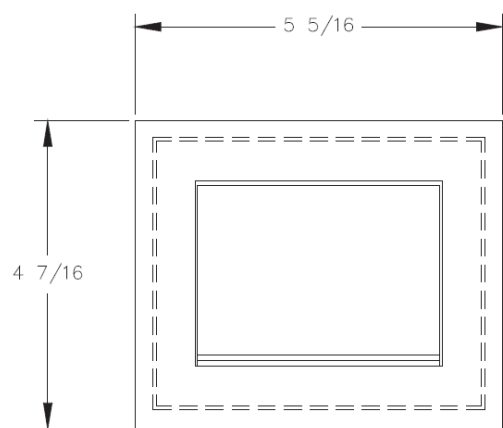




SPECIFICATIONS

* Images depict a 2 Window Unit -with 1 Power and 1 Open Data.



INTEGRATED TECHNOLOGIES

The power simplexes must be grouped together and installed at the right end of this product. Technologies requiring power must immediately follow.



NON-POWERED

Cat6, Cat6A, HDMI, VGA, DisplayPort, DVI Mini DisplayPort, Stereo Jack, Belay Passive USB-A, and Passive USB-C

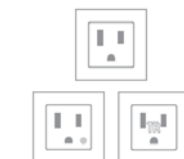
NOTE: Factory install only for DisplayPort and MiniDisplayPort



POWERED

USBC 18W, USB-C 60W, USB A + C, Dual USB, Bluetooth® Speaker

NOTE: Powered Technologies do not transfer data

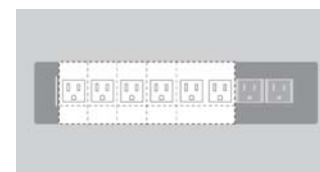


POWER SIMPLEX

Tamper Resistant & Hospital Grade Available

CUSTOMIZE BY SIZE

Comes with 2 to 8 windows, as shown below. Each window can be replaced by a variety of power and technology options



CUT OUT DIMENSIONS

	LENGTH	WIDTH
2 Windows	5"	4"
3 Windows	6-1/2"	4"
4 Windows	8"	4"
5 Windows	9-1/2"	4"
6 Windows	11"	4"
7 Windows	12-1/2"	4"
8 Windows	14"	4"

POWER INFEEED OPTIONS

- UL LISTED**
 Corded
 Hardwired
 4-Trac interconnect
 8-Trac interconnect

UL RECOGNIZED & ETL LISTED

- Interlink IQ 2.0
 Interlink

TABLE THICKNESS

MIN-MAX
 3/4" -1-1/2"

- Item:** Data/Power Grommet
Function: Provide easy access to power and data on the work surface
Mounting: Set into work surface
Finish: -Anodized Aluminum
Features:
 -Spill proof outlets
 -72" Conduit
 -Safe and easy to install power and data in work surfaces
 -Customizable
 -One touch access hides outlets when not in use
Standard:
 -1 power, 2 Powered US
 -Request pricing for other options

Power/Data Grommet
WCD-D106

Rev. 0 | 08/21/19 | V. Graves

