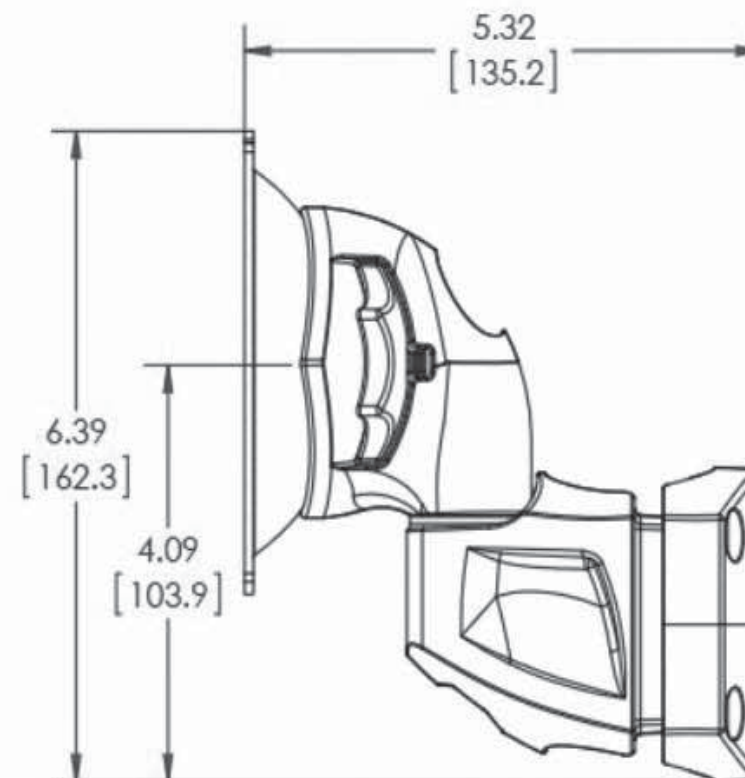
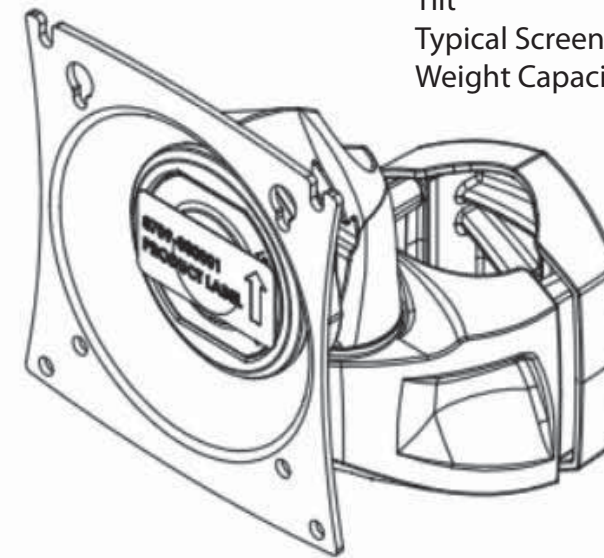
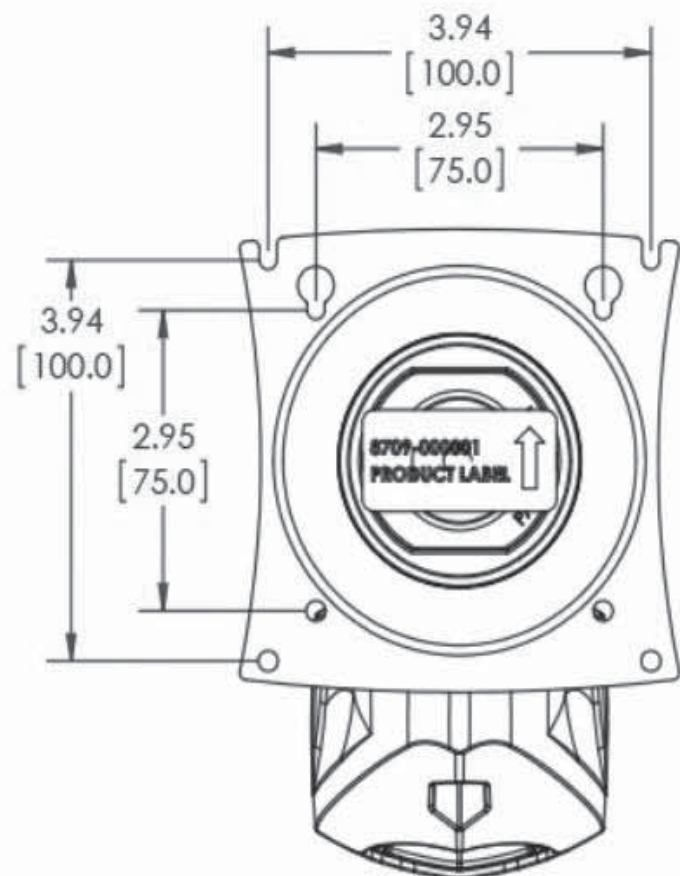
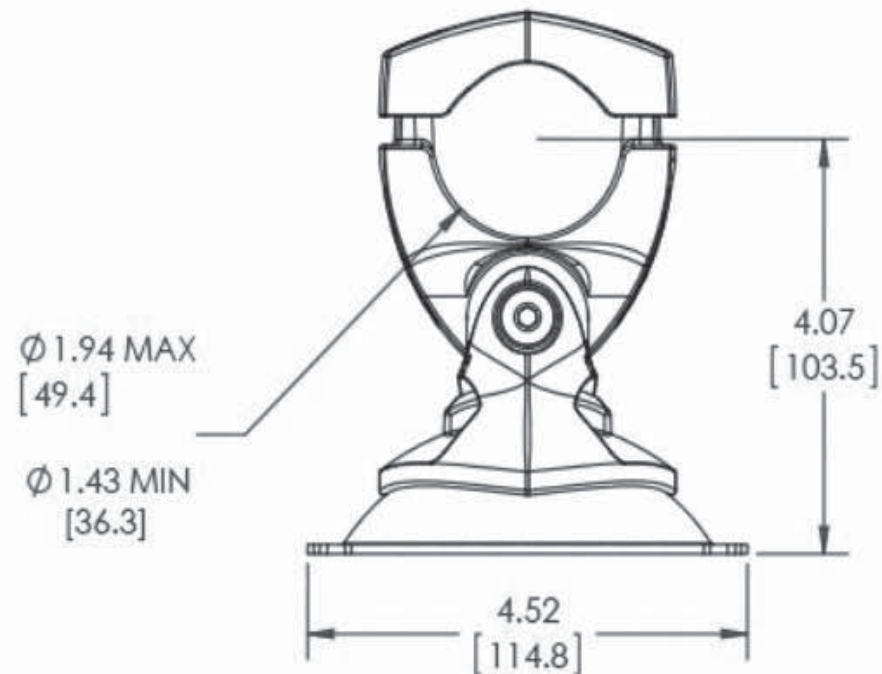


+/- 15°



**SPECIFICATIONS:**

Minimum Depth	2.94" (74.7mm)
Mounting Pattern Compatibility	75 x 75mm, 100 x 100mm
Orientation	Landscape, Portrait
Dimensions (H x W x D)	4.7" x 6.4" x 4.2"
Pole Diameter Range	(119 x 162 x 106mm)
Tilt	1.5"-2" (38-51mm)
Typical Screen size	+/- 15°
Weight Capacity	10-30"
	40 lbs (18.1 kg)



**Item:** Pole Mount for Small Monitors  
**Mounting:** Clamp to Pole which attaches to Aluminum Track, VESA 75 X 75mm or 100 X 100mm compatible

**Finish:** -Black  
**Features:** -Patented Centris Head provides +/- 15° of effortless tilt, for optimal viewing comfort.

-Portrait and landscape rotation and side to side pivot  
 -Manual Height Adjustment on the pole for optimizing screen position.  
 -Easily clamps to poles ranging from 1.50"-1.90" Dia  
 -Enhanced 3-step installation and quick release monitor interface for easy mounting and maintenance.

**Ergonomic Benefit:**  
 -Raises monitor off work surface for more space  
 -Allows for stacking monitors

**Monitor Mount with Pole Clamp**  
**WCD-CMA100**

Rev. 0 | 12/01/16 | V. Graves

